



Series 3823

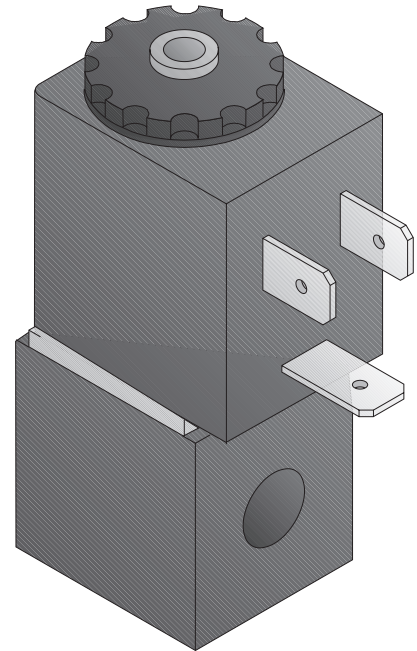
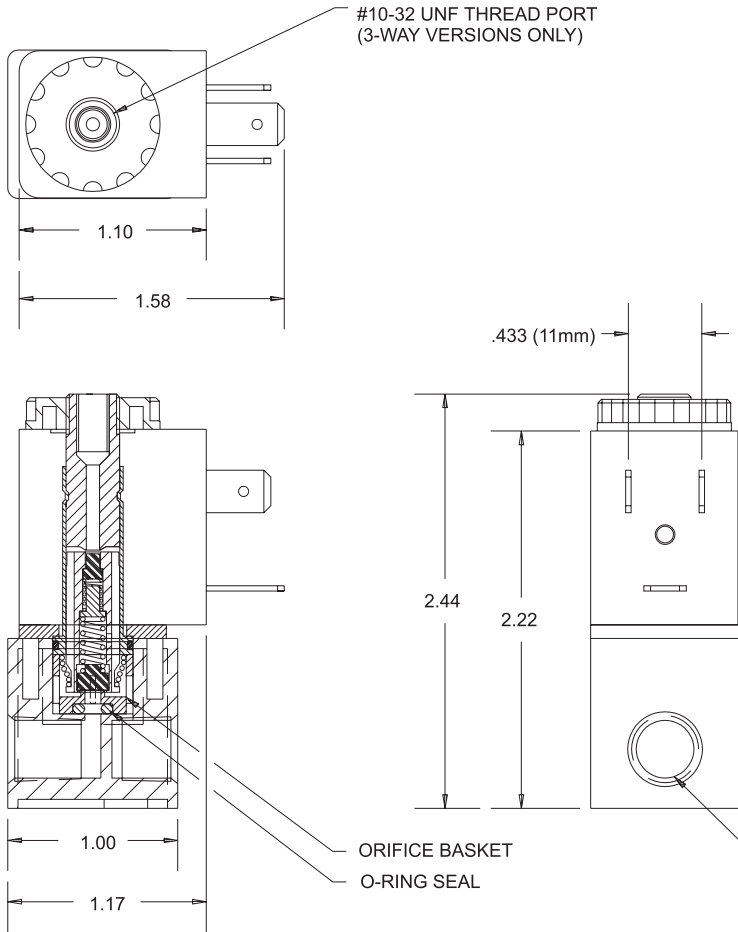
Composite 2 & 3-Way Solenoid Valve

The Spartan Scientific Series 3823 is a composite body solenoid valve offered in both 2-way and 3-way normally open or closed functions and seven orifice sizes. Component features include the proven Spartan Series 3800 solenoid operator available in brass/stainless or all stainless pilot design, optional seal materials and nylon encapsulated coil. The "basket" orifice design feature allows the possibility of changing the orifice diameter to meet flow requirements within a matter of seconds.

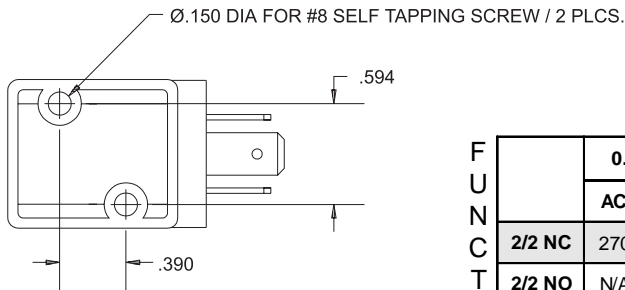
The Dupont Zytel FE 5105, FDA approved composite material is media compatible eliminating the need for stocking multiple body materials.

Dimensional Data
Features

- Composite material
- Chemical compatibility
- FDA approved versions
- 7 orifice sizes
- Quick change orifice
- 0.9 w coil available



1/8" NPT PORT / 2PLCS.*
 *WARNING- WHEN USING METAL FITTINGS DO NOT EXCEED 40 IN. LBS TORQUE OR MATERIAL FAILURE CAN OCCUR



ORIFICE SIZE / VOLTAGE

FUNCTION	0.6 mm		1.0 mm		1.2 mm		1.5 mm		2.0 mm		2.4 mm		3.0 mm	
	AC	DC	AC	DC	AC	DC	AC	DC	AC	DC	AC	DC	AC	DC
2/2 NC	270	270	250	250	250	250	250	250	250	250	200	200	75	60
2/2 NO	N/A	N/A	N/A	N/A	N/A	N/A	250	250	N/A	N/A	N/A	N/A	N/A	N/A
3/2 NC	250	250	200	200	180	180	160	150	N/A	N/A	N/A	N/A	N/A	N/A
3/2 NO	N/A	N/A	N/A	N/A	N/A	N/A	170	150	N/A	N/A	N/A	N/A	N/A	N/A

MAX. PRESSURE RANGE



Technical Data

Function: 2-way, 2 position and 3-way, 2 position
direct acting, normally closed or normally open

Port Sizes: 1/8" NPT

**Orifice Sizes/
Flow Factor:** 0.6 mm / .025 Cv
1.0 mm / .05 Cv
1.2 mm / .065 Cv
1.5 mm / .08 Cv
2.0 mm / .17 Cv
2.4 mm / .24 Cv
3.0 mm / .31 Cv

Pressure Range: 0-270 PSI (depending on orifice size)

Temp. Range: (Fluid 90°C max.) Ambient - 10 to +50°C

Response Time: 12-14 ms complete cycle

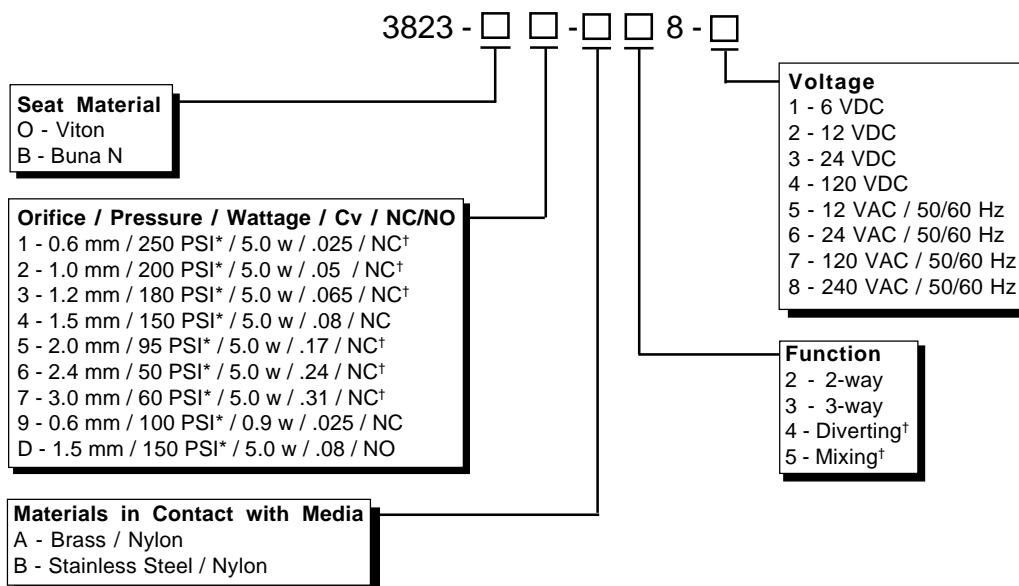
Materials: Operator: 400 Series Stainless and Brass standard (400 and 300 Stainless upon request)
Shading Ring: Copper
Springs: 300 Series Stainless
Seals: Viton standard (other materials available on request)
Valve Body: DuPont Zytel FE 5105. FDA Approved.

Media: Air, oil, inert gas, water, caustics, etc.

Mounting: Ø.150" drill, 2 places for a #8 self-tapping screw

Coil Data: Glass filled nylon encapsulation (Class F, continuous duty)
DIN spades or flying lead
5 watt standard (other wattages available on request)
All standard industrial voltages
Voltage Tolerance: +/- 10%

How To Order



[†] Not Available in All Configurations

*NOTE: Pressure ratings are for 3/2 way valve with DC voltage

For more coil options see page 23.

Order Example: 3823-01-A38-7
Series 3823, Viton seat, .06 mm orifice, 270 PSI,
.025Cv, normally closed, 3-way, 120 VAC / 50/60 Hz